



## MYM SERIES RESOLVERS

## MYM-43

### Features:

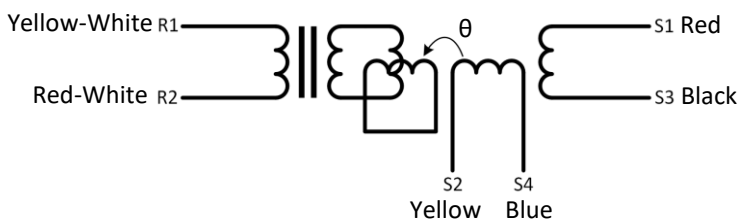
- Hollow shaft ID: 56 mm
- Outer diameter: 110 mm
- Length: 30 mm



### ELECTRICAL DATA

MDS.MYM-43	
Primary Side	R1-R2
Pole pairs	4
Transformation ratio	0.5±10%
Input Voltage	5 Vrms
Input Current	32 mA
Input frequency	10 kHz
Phase shift	5° ± 2°
Null Voltage	15mVmax
Zro	80+155j Ω
Zrs	75.5+151j Ω
Zso	450+1260jΩ
Zss	430+1220j Ω
R1-R2 DC resistance	46.5 Ω ± 10% (@20°C)
Stator DC resistance	150.5 Ω ± 10% (@20°C)
Accuracy	±5'
Operating temp.	-50°C / +110°C

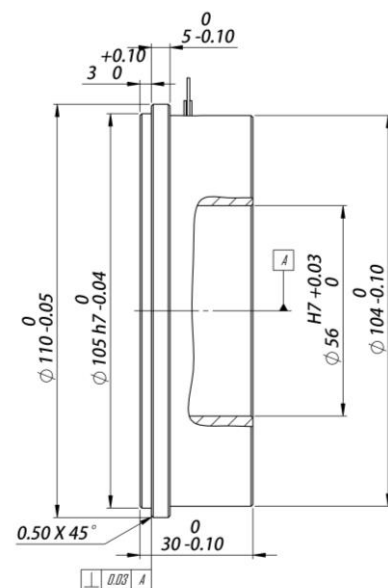
### SCHEMATIC and TECHNICAL DRAWINGS



**Input:**  $E(R1-R2) = E \sin(\omega t)$

**Output:**  $E(S1-S3) = Tr \times E(R1-R2) \cos\theta$   
 $E(S2-S4) = Tr \times E(R1-R2) \sin\theta$

**Tr:** Transformation ratio



Rev-2 16.01.2024 O. Simsek Tek.sayfa.yzpldts