

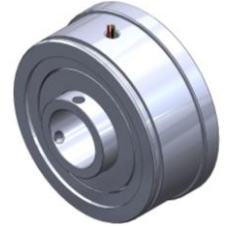


MYM SERIES RESOLVERS

MYM-27

Features:

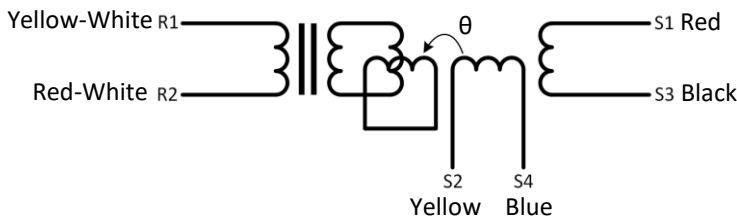
- Hollow shaft ID: 22 mm
- Outer diameter: 72 mm
- Length: 35.5 mm



ELECTRICAL DATA

MDS.MYM-27	
Primary Side	R1-R2
Pole pairs	1
Transformation ratio	0.5±10%
Input Voltage	5 Vrms
Input Current	30 mA
Input frequency	8 kHz
Phase shift	-10° ± 2°
Null Voltage	30mVmax
Zro	70+165j Ω
Zrs	63+160j Ω
Zso	700+1450jΩ
Zss	650+1400j Ω
R1-R2 DC resistance	42.3 Ω ± 10% (@20°C)
Stator DC resistance	55.5 Ω ± 10% (@20°C)
Accuracy	±11'
Operating temp.	-50°C / +110°C

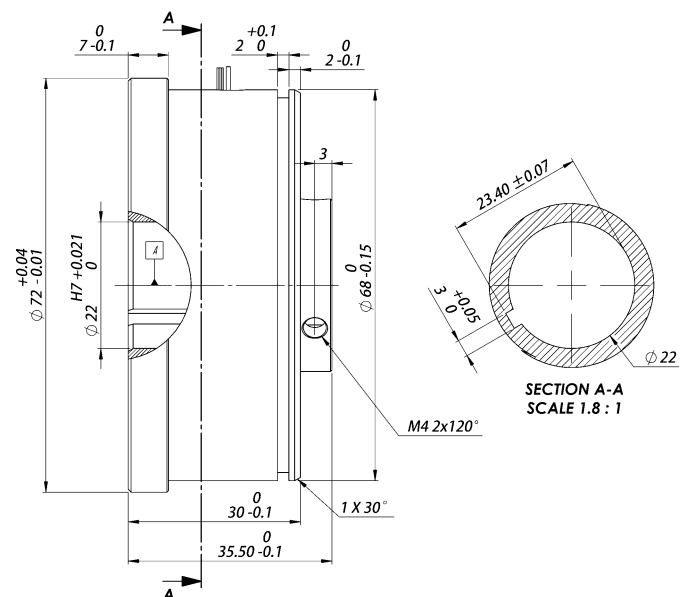
SCHEMATIC and TECHNICAL DRAWINGS



Input: $E(R1-R2) = E \sin(\omega t)$

Output: $E(S1-S3) = Tr \times E(R1-R2) \cos\theta$
 $E(S2-S4) = Tr \times E(R1-R2) \sin\theta$

Tr: Transformation ratio



Rev-0 | 16.01.2024 | O. Simsek | Tek.sayfa.yzpldts