

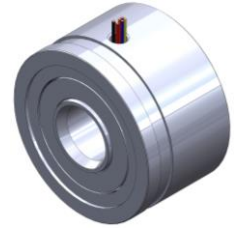


MYM SERIES RESOLVERS

MYM-21

Features:

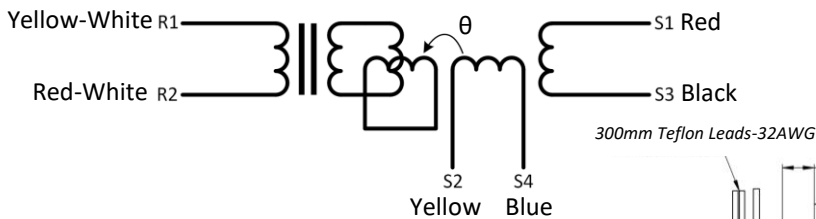
- Hollow shaft ID: 17 mm
- Outer diameter: 52.4 mm
- Length: 31.75 mm



ELECTRICAL DATA

MDS.MYM-21	
Primary Side	R1-R2
Pole pairs	1
Transformation ratio	0.5±10%
Input Voltage	4 Vrms
Input Current	26 mA
Input frequency	5 kHz
Phase shift	-8° ± 2°
Null Voltage	30mVmax
Zro	70+160j Ω
Zrs	60+150j Ω
Zso	185+440jΩ
Zss	160+410j Ω
R1-R2 DC resistance	22.8 Ω ± 10% (@20°C)
Stator DC resistance	63.1 Ω ± 10% (@20°C)
Accuracy	±10'
Operating temp.	-50°C / +110°C

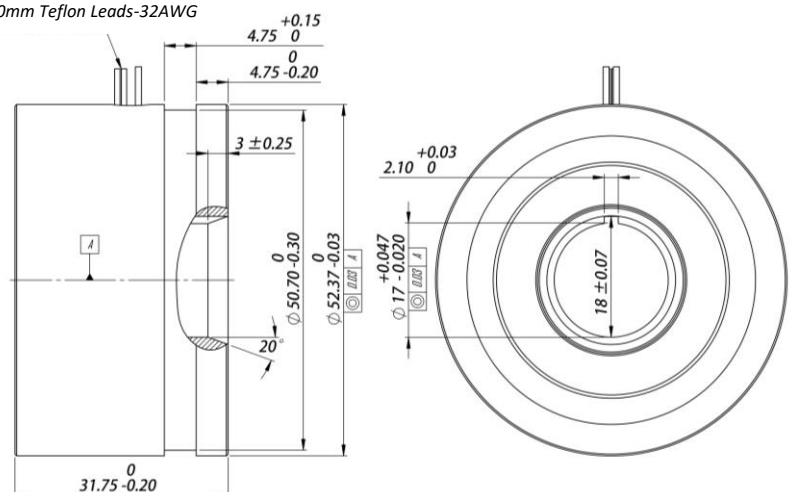
SCHEMATIC and TECHNICAL DRAWINGS



Input: $E(R1-R2) = E \sin(\omega t)$

Output: $E(S1-S3) = Tr \times E(R1-R2) \cos\theta$
 $E(S2-S4) = Tr \times E(R1-R2) \sin\theta$

Tr: Transformation ratio



Rev-B 16.01.2024 O. Simsek Tek sayfa yzpldtr