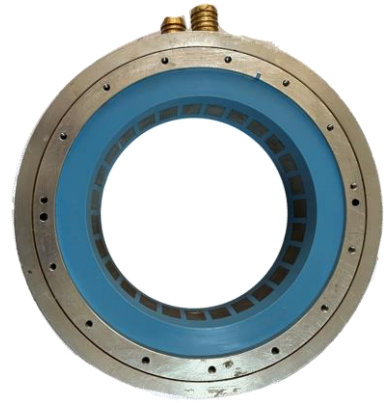




WTRM Torque Motors

MDS Motor offers a new very high torque density liquid cooled torque motor series. WTRM semi-framed torque motor series delivers in a range of cooling jacket ODs, different axial lengths, and winding options. The motors up to 414 mm frames are engineered to provide one of the highest torque-per-weight ratios in their class. Optimized liquid cooling channel design is utilized in WTRM series.

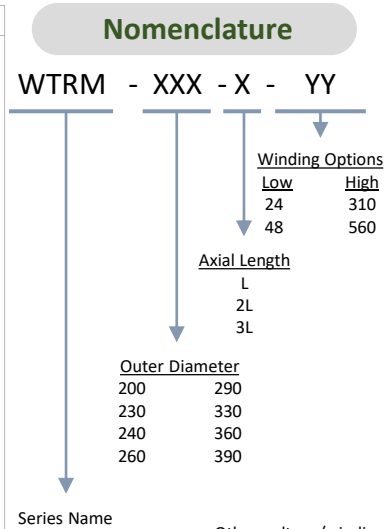
WTRM series offers very high continuous torque density values (up to 22.7 Nm/A_{rms}) and very low cogging torque for the applications requiring smooth and perfect motion.



WTRM-200 <ul style="list-style-type: none"> Outer Diameter: 224 mm 3 Axial lengths 4 DC voltage options Torque constants up to 13.8 Nm/A_{rms} 	WTRM-240 <ul style="list-style-type: none"> Outer Diameter: 264 mm 3 Axial lengths 4 DC voltage options Torque constant up to 15.9 Nm/A_{rms} 	WTRM-290 <ul style="list-style-type: none"> Outer Diameter: 314 mm 3 Axial lengths 4 DC voltage options Torque constant up to 18.4 Nm/A_{rms} 	WTRM-360 <ul style="list-style-type: none"> Outer Diameter: 384 mm 3 Axial lengths 4 DC voltage options Torque constant up to 20.9 Nm/A_{rms}
WTRM-230 <ul style="list-style-type: none"> Outer Diameter: 254 mm 3 Axial lengths 4 DC voltage options Torque constants up to 14.5 Nm/A_{rms} 	WTRM-260 <ul style="list-style-type: none"> Outer Diameter: 284 mm 3 Axial lengths 4 DC voltage options Torque constants up to 17.7 Nm/A_{rms} 	WTRM-330 <ul style="list-style-type: none"> Outer Diameter: 354 mm 3 Axial lengths 4 DC voltage options Torque constants up to 20.6 Nm/A_{rms} 	WTRM-390 <ul style="list-style-type: none"> Outer Diameter: 414 mm 3 Axial lengths 4 DC voltage options Torque constants up to 22.7 Nm/A_{rms}

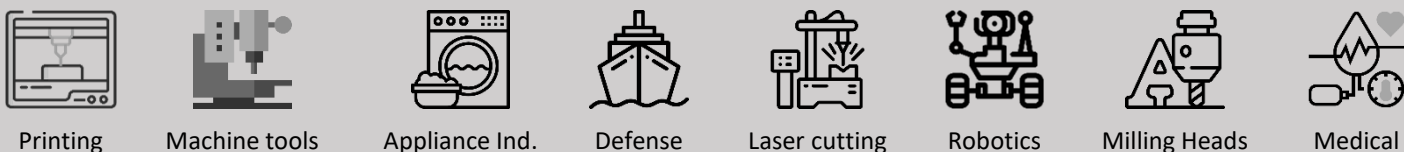
WTRM Series Torque Motor Range

Model	Tr [Nm]	2L	3L
WTRM-200	38.1	78.2	155
	59.6	122	242
WTRM-230	56.6	114	225
	95.8	193	385
WTRM-240	68.1	138	274
	116	234	464
WTRM-260	83.9	167	335
	143	283	568
WTRM-290	113	225	449
	191	379	758
WTRM-330	156	310	618
	265	526	1049
WTRM-360	186	373	741
	317	633	1262
WTRM-390	227	447	887
	378	748	1483



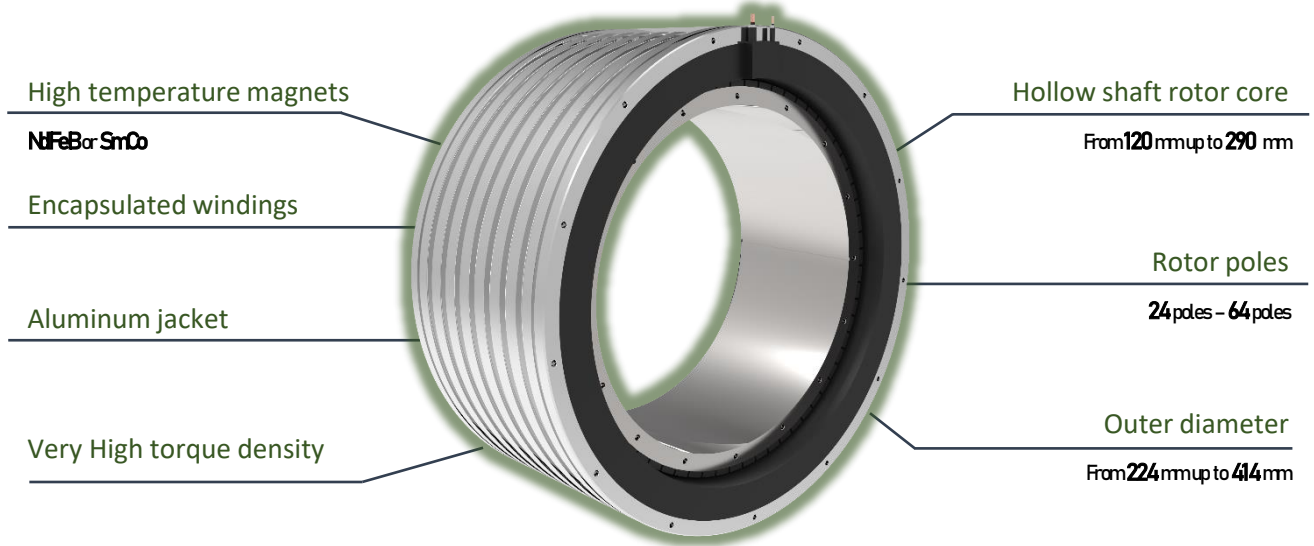
Other voltage/winding options are available upon request.

Applications





Structure



Main Features & Benefits

- 24 Standard motor sizes
- Rated torque up to 887 Nm
- Peak torque up to 1483 Nm
- Speed up to 470 rpm
- Outer diameter up to 414 mm
- Hollow shaft up to 290 mm
- 4 Different winding options (24/48 V - 310/560 V)
- AC custom winding options
- Very high torque-per-weight ratios
- Low thermal resistance
- Thermistor or RTD's against thermal overload
- Excellent dynamic performance
- Very low torque ripple
- Extremely low cogging
- Optimal speed control
- Minimized size and weight
- Direct system integration
- Reduced cost
- Wide product range
- Lowest possible rotor inertia
- Excellent rotor integrity
- Excellent product repeatability

